

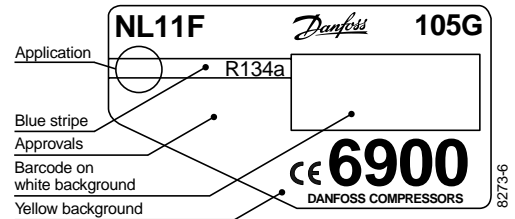
NL11F Standard Compressor R134a 220-240V 50Hz

Data Sheet (Replaces CG.43.J1.02)

General

Compressor	NL11F
Code number	105G6900
Code number	105G6901*)
Code number compressor with oil cooler	105G6910

*) Performance data established on 8.2 mm suction line. Restrictions due to 6.2 mm suction line can affect system performance.



Application

Application	LBP	
Evaporating temperature range	°C	-35 to -10
Voltage range	V/Hz	198 - 254 /50
Motor type	RSIR/CSIR	
Max. ambient temperature	°C	38
Comp. cooling at ambient temp.	32°C	O/F ₁
	38°C	O/F ₁

- S = Static cooling normally sufficient
- O = Oil cooling
- F₁ = Fan cooling 1.5 m/s
(compressor compartment temperature equal to ambient temperature)
- F₂ = Fan cooling 3.0 m/s necessary

Design

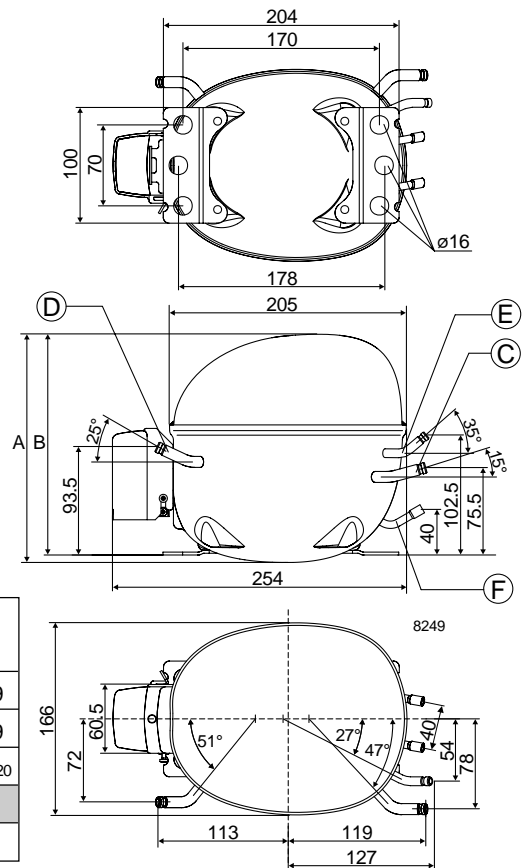
Displacement	cm ³	11.15
Oil quantity	cm ³	320
Maximum refrigerant charge	g	400
Free gas vol. in compressor	cm ³	2360
Weight without electrical equipment	kg	10.7

Motor

Motor size	watt	235
LRA (rated after 4 sec. UL984) LST/HST	A	9.2/10.4
Cut-in current LST/HST	A	13.6/10.4
Resistance, main and start winding (25°C)	Ω	8.2/14.7
Approvals	EN 60335-2-34 with Annex AA	

Dimensions

		105G6910	105G6900	105G6901
Height	mm	A	203	
		B	197	
Suction connector	location/I.D. mm	C	8.2 ±0.09	8.2 ±0.09
Process connector	location/I.D. mm	D	6.2 ±0.09	6.2 ±0.09
Discharge connector	location/I.D. mm	E	6.2 ±0.09	6.2 ±0.09
Oil cooler	location/I.D. mm	F	6.2 ±0.09	
Compressors on a pallet	pcs.	80		



Capacity (EN 12900/CECOMAF)

watt

Comp.°C	-35	-30	-25	-23.3	-20	-15	-10
NL11F	102	144	200	223	271	356	455

Capacity (ASHRAE)

watt

Comp.°C	-35	-30	-25	-23.3	-20	-15	-10
NL11F	125	177	246	274	334	438	561

Power consumption

watt

Comp.°C	-35	-30	-25	-23.3	-20	-15	-10
NL11F	146	178	212	224	248	286	325

Current consumption

A

Comp.°C	-35	-30	-25	-23.3	-20	-15	-10
NL11F	1.40	1.46	1.54	1.57	1.64	1.75	1.89

COP (EN 12900/CECOMAF)

W/W

Comp.°C	-35	-30	-25	-23.3	-20	-15	-10
NL11F	0.70	0.81	0.94	0.99	1.09	1.25	1.40

COP (ASHRAE)

W/W

Comp.°C	-35	-30	-25	-23.3	-20	-15	-10
NL11F	0.86	0.99	1.16	1.22	1.34	1.53	1.73

Test conditions
 Condensing temperature 55°C
 Ambient and suction gas temp. 32°C
 Liquid temperature 55°C
 Static cooling, 220V 50Hz,
 PTC consumption incl.

EN 12900/CECOMAF
 55°C
 32°C
 55°C

ASHRAE
 55°C
 32°C
 32°C

Accessories

Devices	Fig.	NL11F
PTC starting device 6.3 mm spades 4.8 mm spades	a1	103N0011
		103N0018
Starting relay	a2	117U6002
Cover	b	103N2010
Starting capacitor 80 µF	c	117U5015
Cord relief	d	103N1010
Protection screen for PTC	g	103N0476
Mounting accessories		
Bolt joint for one compressor		118-1917
Bolt joint in quantities		118-1918
Snap-on in quantities		118-1919

