

NLY6F

High Energy-optimized Compressor

R134a

220-240V 50Hz

Data Sheet (Replaces CD.43.H6.02)

General

Compressor	NLY6F
Code number	105G6630

Application

Application	LBP	
Evaporating temperature range	°C	-35 to -10
Voltage range	V/Hz	198 - 254 /50
Motor type	RSCR*	
Max. ambient temperature	°C	43
Comp. cooling at ambient temp.	32°C	S
	38°C	S
	43°C	S

* run capacitor 4 µF compulsory

Design

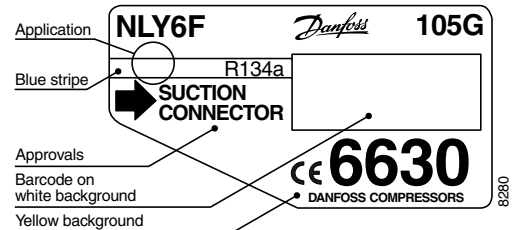
Displacement	cm ³	6.70
Oil quantity	cm ³	290
Maximum refrigerant charge	g	400
Free gas vol. in compressor	cm ³	2310
Weight without electrical equipment	kg	10.8

Motor

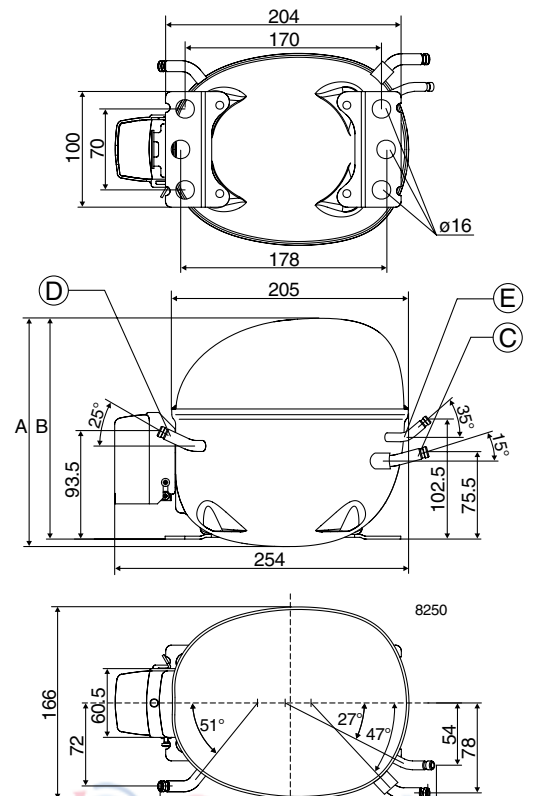
Motor size	watt	135
LRA (rated after 4 sec. UL984) LST	A	4.3
Cut-in current LST	A	8.3
Resistance, main and start winding (25°C)	Ω	16.0/15.1
Approvals	EN 60335-2-34 with Annex AA	

Dimensions

Height	mm	A	203
		B	197
Suction connector	location/I.D. mm	C	6.2 ±0.09
Process connector	location/I.D. mm	D	6.2 ±0.09
Discharge connector	location/I.D. mm	E	5.0 +0.12/+0.20
Compressors on a pallet	pcs.	80	



- S = Static cooling normally sufficient
- O = Oil cooling
- F₁ = Fan cooling 1.5 m/s
(compressor compartment temperature equal to ambient temperature)
- F₂ = Fan cooling 3.0 m/s necessary



Capacity (EN 12900/CECOMAF) watt

Comp.\°C	-35	-30	-25	-23.3	-20	-15	-10
NLY6F	80	104	138	152	182	235	299

Capacity (ASHRAE) watt

Comp.\°C	-35	-30	-25	-23.3	-20	-15	-10
NLY6F	98	128	170	187	224	290	369

Power consumption watt

Comp.\°C	-35	-30	-25	-23.3	-20	-15	-10
NLY6F	81	99	118	125	138	159	181

Current consumption A

Comp.\°C	-35	-30	-25	-23.3	-20	-15	-10
NLY6F	0.38	0.47	0.54	0.57	0.63	0.72	0.81

COP (EN 12900/CECOMAF) W/W

Comp.\°C	-35	-30	-25	-23.3	-20	-15	-10
NLY6F	0.99	1.05	1.17	1.22	1.32	1.48	1.65

COP (ASHRAE) W/W

Comp.\°C	-35	-30	-25	-23.3	-20	-15	-10
NLY6F	1.21	1.30	1.44	1.50	1.62	1.82	2.04

Test conditions EN 12900/CECOMAF ASHRAE
 Condensing temperature 55°C 55°C
 Ambient and suction gas temp. 32°C 32°C
 Liquid temperature 55°C 32°C
 Static cooling, with RC 4 µF, 220V 50Hz,
 PTC consumption included (two watt power consumption to be subtracted,
 when ePTC is used; this is also affecting the COP)

Accessories

Devices	Fig.	NLY6F
ePTC starting device 4.8 mm spades	a1	103N0050
PTC starting device 6.3 mm spades 4.8 mm spades		103N0016 103N0021
Cover	b	103N2010
Cord relief	d	103N1010
Run capacitor 4 µF (compulsory) 6.3 mm spades 4.8 mm spades	e	117-7117 117-7119
Protection screen for PTC	g	103N0476
Mounting accessories		
Bolt joint for one compressor		118-1917
Bolt joint in quantities		118-1918
Snap-on in quantities		118-1919

