

# NLE10MF

## Energy-optimized Compressor

### R134a

### 220-240V 50Hz

#### General

Code number	105G6888
Approvals	EN 60335-2-34
Compressors on pallet	80

#### Application

Application	LBP/MBP		
Frequency	Hz	50	60
Evaporating temperature	°C	-35 to 7.2	-
Voltage range	V	198 - 254	-
Max. condensing temperature continuous (short)	°C	60 (70)	-
Max. winding temperature continuous (short)	°C	125 (135)	-

#### Cooling requirements

Frequency	Hz	50			60		
Application		LBP	MBP	HBP	LBP	MBP	HBP
32°C		F <sub>1</sub>	F <sub>1</sub>	-	-	-	-
38°C		F <sub>1</sub>	F <sub>1</sub>	-	-	-	-
43°C		F <sub>1</sub>	F <sub>1</sub>	-	-	-	-
Remarks on application:							

#### Motor

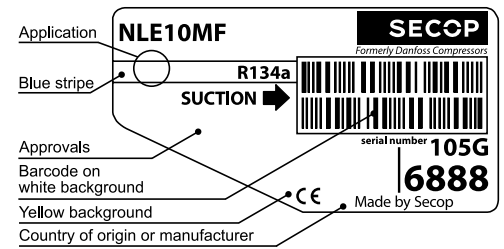
Motor type		RSIR/CSIR	
LRA (rated after 4 sec. UL984), HST   LST	A	13.7	12.1
Cut in Current, HST   LST	A	13.7	15.6
Resistance, main   start winding (25°C)	Ω	6.1	16.0

#### Design

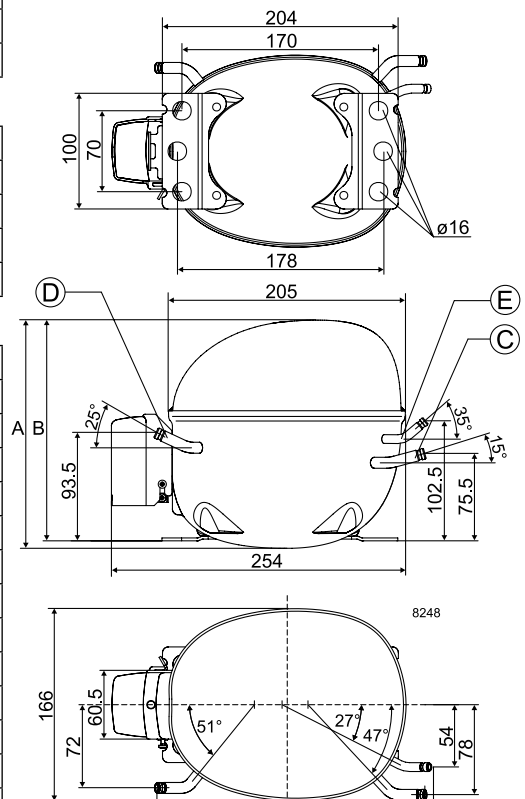
Displacement	cm <sup>3</sup>	10.10
Oil quantity (type)	cm <sup>3</sup>	320 (polyolester)
Maximum refrigerant charge	g	600
Free gas volume in compressor	cm <sup>3</sup>	2360
Weight without electrical equipment	kg	10.5

#### Dimensions

Height	mm	A	203
		B	197
		B1	-
		B2	-
Suction connector	location/I.D. mm   angle	C	8.2   15°
	material   comment		Cu-plated steel   Al cap
Process connector	location/I.D. mm   angle	D	6.2   25°
	material   comment		Cu-plated steel   Al cap
Discharge connector	location/I.D. mm   angle	E	6.2   35°
	material   comment		Cu-plated steel   Al cap
Oil cooler connector	location/I.D. mm   angle	F	-
	material   comment		-
Connector tolerance	I.D. mm		±0.09
Remarks:			



- S = Static cooling normally sufficient
- O = Oil cooling
- F<sub>1</sub> = Fan cooling 1.5 m/s (compressor compartment temperature equal to ambient temperature)
- F<sub>2</sub> = Fan cooling 3.0 m/s necessary
- SG = Suction gas cooling normally sufficient
- = not applicable in this area



**EN 12900 Household (CECOMAF)** 220V, 50Hz, fan cooling F<sub>1</sub>

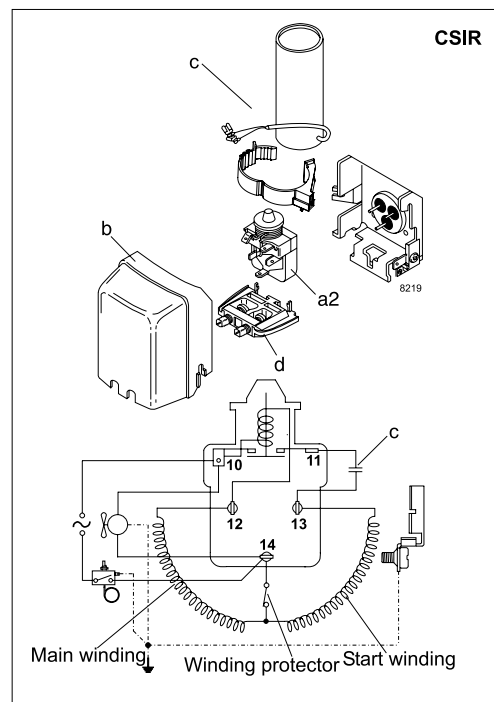
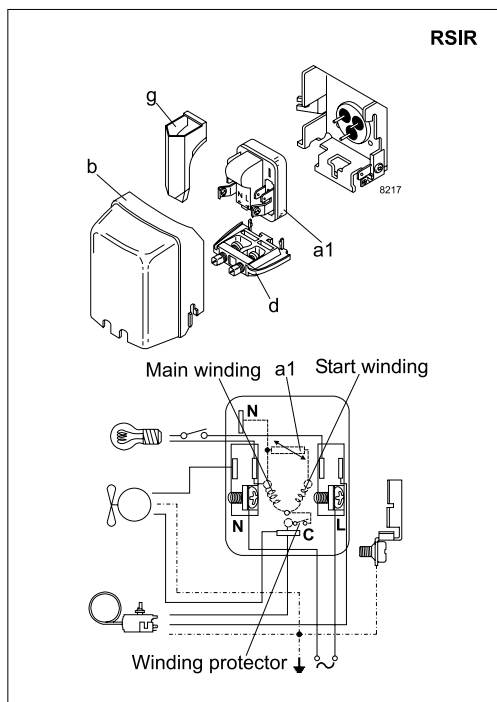
Evap. temp. in °C	-45	-40	-35	-30	-25	-23.3	-20	-15	-10	-6.7	-5	0	5	7.2	10	15	20
Capacity in W			88.0	137	194	216	262	343	440	513	554	688	845	922			
Power cons. in W			134	165	198	210	233	270	308	334	347	386	426	443			
Current cons. in A			1.43	1.50	1.60	1.63	1.71	1.84	2.00	2.11	2.17	2.36	2.57	2.67			
COP in W/W			0.66	0.83	0.98	1.03	1.13	1.27	1.43	1.54	1.60	1.78	1.98	2.08			

**ASHRAE MBP** 220V, 50Hz, fan cooling F<sub>1</sub>

Evap. temp. in °C	-45	-40	-35	-30	-25	-23.3	-20	-15	-10	-6.7	-5	0	5	7.2	10	15	20
Capacity in W			98.1	152	215	239	290	379	485	566	611	759	933	1018			
Power cons. in W			134	165	198	209	233	269	307	332	346	385	424	441			
Current cons. in A			1.44	1.51	1.60	1.63	1.71	1.84	1.99	2.10	2.16	2.35	2.56	2.66			
COP in W/W			0.73	0.92	1.09	1.14	1.25	1.41	1.58	1.70	1.77	1.97	2.20	2.31			

**ASHRAE LBP** 220V, 50Hz, fan cooling F<sub>1</sub>

Evap. temp. in °C	-45	-40	-35	-30	-25	-23.3	-20	-15	-10	-6.7	-5	0	5	7.2	10	15	20
Capacity in W			110	171	241	268	326	426	545	636	687	855	1051	1148			
Power cons. in W			134	165	198	209	233	269	307	332	346	385	424	441			
Current cons. in A			1.44	1.51	1.60	1.63	1.71	1.84	1.99	2.10	2.16	2.35	2.56	2.66			
COP in W/W			0.82	1.04	1.22	1.28	1.40	1.58	1.78	1.91	1.99	2.22	2.48	2.60			



Accessories for	NLE10MF	Figure	Code number
PTC starting device	6.3 mm spade connectors	a1	103N0011
	4.8 mm spade connectors		103N0018
Starting relay	6.3 mm spade connectors	a2	117U6003
Start. capacitor 80 µF	6.3 mm spade connectors	c	117U5015
Cover		b	103N2011
Cord relief		d	103N1010
Protection screen for PTC		g	103N0476

Test conditions	EN 12900/CECOMAF	ASHRAE LBP	ASHRAE MBP
Condensing temperature	55°C	54.4°C	54.4°C
Ambient temperature	32°C	35°C	32°C
Suction gas temperature	32°C	35°C	32°C
Liquid temperature	no subcooling	46.1°C	32°C

Mounting accessories		Code number
Bolt joint for one comp.	Ø: 16 mm	118-1917
Bolt joint in quantities	Ø: 16 mm	118-1918
Snap-on in quantities	Ø: 16 mm	118-1919

Danfoss can accept no responsibility for possible errors in catalogues, brochures and other printed material. Danfoss reserves the right to alter its products without notice. This also applies to products already on order provided that such alterations can be made without consequential changes being necessary in specifications already agreed. All trademarks in this material are property of the respective companies. Danfoss and the Danfoss logotype are trademarks of Danfoss A/S. All rights reserved.