

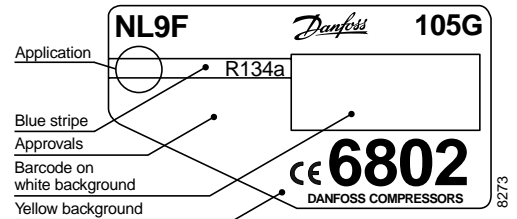
# NL9F Standard Compressor R134a 220-240V 50Hz

Data Sheet (Replaces CG.43.M1.02)

## General

Compressor	<b>NL9F</b>
Code number	105G6802
Code number	105G6804*)
Code number compressor with oil cooler	105G6812

\*) Performance data established on 8.2 mm suction line. Restrictions due to 6.2 mm suction line can affect system performance.



## Application

Application	LBP	
Evaporating temperature range	°C	-35 to -10
Voltage range	V/Hz	198 - 254 /50
Motor type	RSIR/CSIR	
Max. ambient temperature	°C	38
Comp. cooling at ambient temp.	32°C	S
	38°C	S

- S = Static cooling normally sufficient
- O = Oil cooling
- F<sub>1</sub> = Fan cooling 1.5 m/s  
(compressor compartment temperature equal to ambient temperature)
- F<sub>2</sub> = Fan cooling 3.0 m/s necessary

## Design

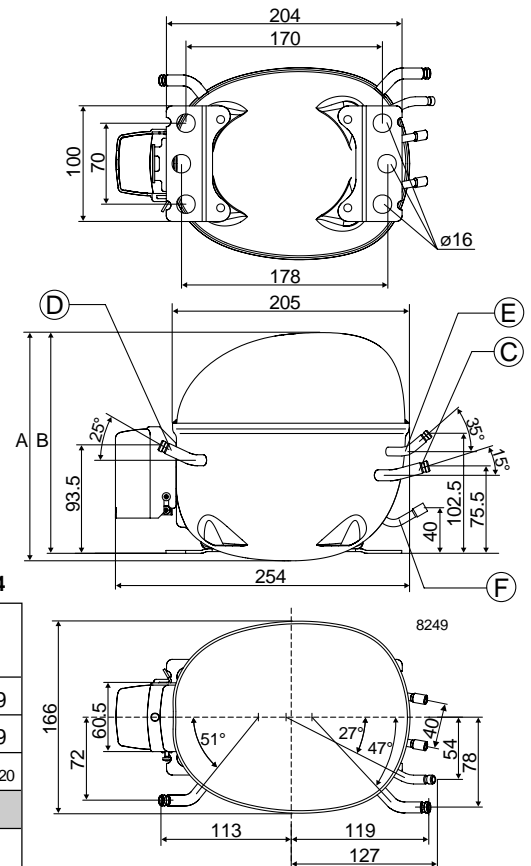
Displacement	cm <sup>3</sup>	8.35
Oil quantity	cm <sup>3</sup>	320
Maximum refrigerant charge	g	400
Free gas vol. in compressor	cm <sup>3</sup>	2280
Weight without electrical equipment	kg	10.0

## Motor

Motor size	watt	175
LRA (rated after 4 sec. UL984) LST/HST	A	6.6/7.9
Cut-in current LST/HST	A	10.9/7.9
Resistance, main and start winding (25°C)	Ω	10.7/13.0
Approvals	EN 60335-2-34 with Annex AA	

## Dimensions

		105G6812	105G6802	105G6804
Height	mm	A	197	
		B	191	
Suction connector	location/I.D. mm	C	8.2 ±0.09	8.2 ±0.09
Process connector	location/I.D. mm	D	6.2 ±0.09	6.2 ±0.09
Discharge connector	location/I.D. mm	E	6.2 ±0.09	5.0+0.12+0.20
Oil cooler	location/I.D. mm	F	6.2 ±0.09	
Compressors on a pallet	pcs.	80		



**Capacity (EN 12900/CECOMAF)**

**watt**

Comp. °C	-35	-30	-25	-23.3	-20	-15	-10
NL9F	80	112	155	172	208	272	346

**Capacity (ASHRAE)**

**watt**

Comp. °C	-35	-30	-25	-23.3	-20	-15	-10
NL9F	98	138	191	212	256	335	427

**Power consumption**

**watt**

Comp. °C	-35	-30	-25	-23.3	-20	-15	-10
NL9F	117	141	167	176	195	225	257

**Current consumption**

**A**

Comp. °C	-35	-30	-25	-23.3	-20	-15	-10
NL9F	0.92	0.99	1.08	1.11	1.18	1.29	1.41

**COP (EN 12900/CECOMAF)**

**W/W**

Comp. °C	-35	-30	-25	-23.3	-20	-15	-10
NL9F	0.68	0.80	0.93	0.98	1.07	1.21	1.35

**COP (ASHRAE)**

**W/W**

Comp. °C	-35	-30	-25	-23.3	-20	-15	-10
NL9F	0.84	0.98	1.14	1.20	1.32	1.49	1.66

Test conditions  
 Condensing temperature 55°C  
 Ambient and suction gas temp. 32°C  
 Liquid temperature 55°C  
 Static cooling, 220V 50Hz,  
 PTC consumption incl.

EN 12900/CECOMAF

ASHRAE

55°C

55°C

32°C

32°C

55°C

32°C

**Accessories**

Devices	Fig.	NL9F
PTC starting device 6.3 mm spades 4.8 mm spades	a1	103N0011 103N0018
Starting relay	a2	117U6001
Cover	b	103N2010
Starting capacitor 80 µF	c	117U5015
Cord relief	d	103N1010
Protection screen for PTC	g	103N0476
Mounting accessories		
Bolt joint for one compressor		118-1917
Bolt joint in quantities		118-1918
Snap-on in quantities		118-1919

