

Installation Guide

Pressure Control

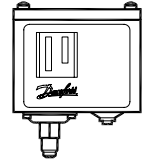
Types KP 1, KP 1A, KP 5, KP 5A with gold plated contacts

060R9504

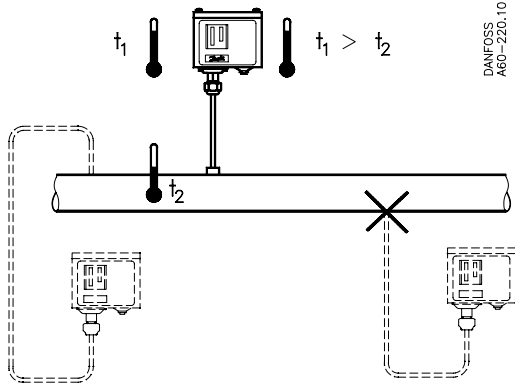
060R9504

Refrigerants

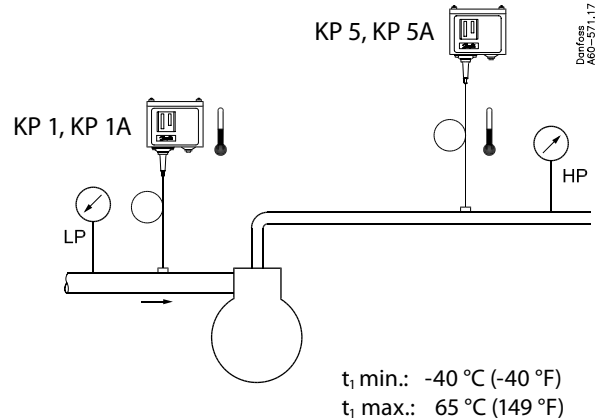
KP 1, KP 5: HCFC and non-flammable HFC
KP 1A, KP 5A: R717, HCFC and non-flammable HFC



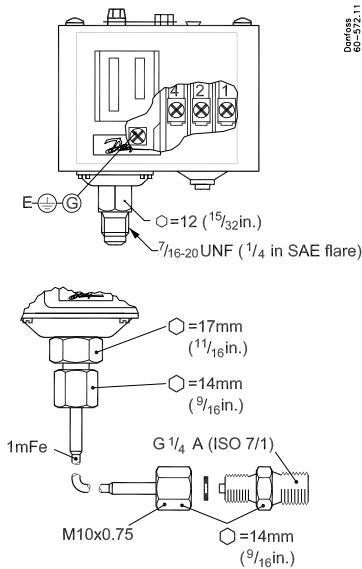
Mounting requirements



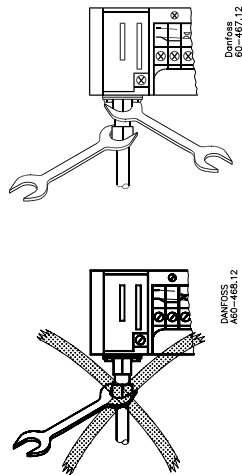
Ambient temperatures



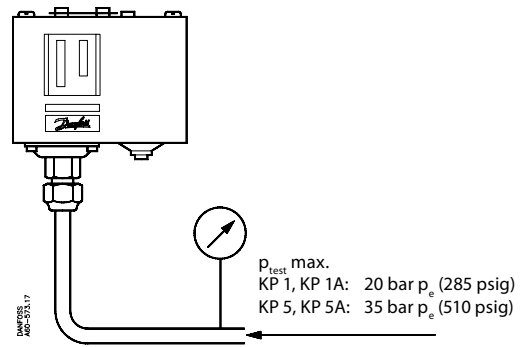
Connections



Mounting

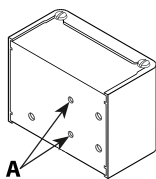


Test pressure (P_{test})

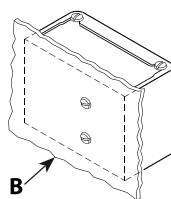


Type	Regulation range	PS/MWP
KP 1	-0.2 – 7.5 bar	17 bar / 245 psig
KP 1 reset	-0.9 – 7 bar	17 bar / 245 psig
KP 5	8 – 32 bar	35 bar / 510 psig
KP 5 reset	8 – 32 bar	35 bar / 510 psig

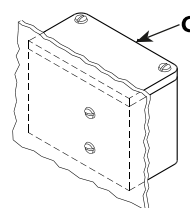
Enclosure



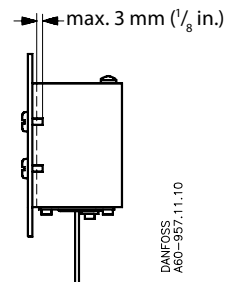
A: M4 (8 – 32 UNC)



B: Enclosure IP30 (EN 60529)



C: Enclosure IP44 (EN 60529)

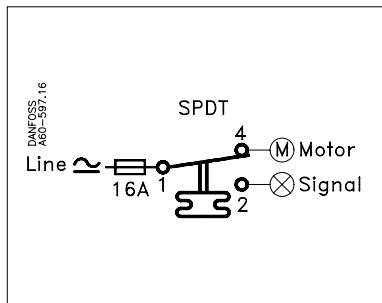




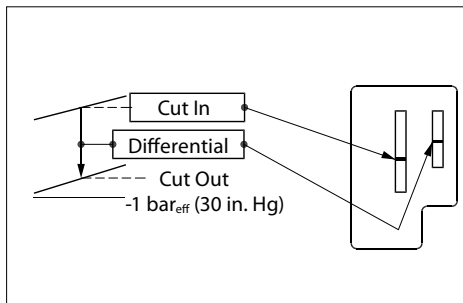
CAUTION:

Disconnect power supply before wiring connections are made or service to avoid possible electrical shock or damage to equipment. Do never touch live parts with your fingers or with any tool.

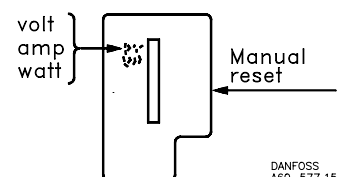
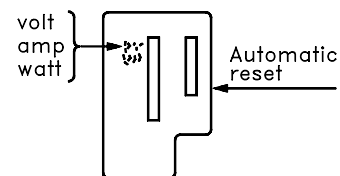
Contact 1-4 opens on pressure drop



KP 1, KP 1A

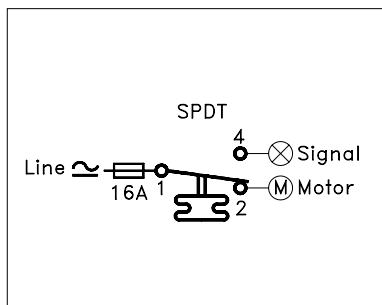


Setting

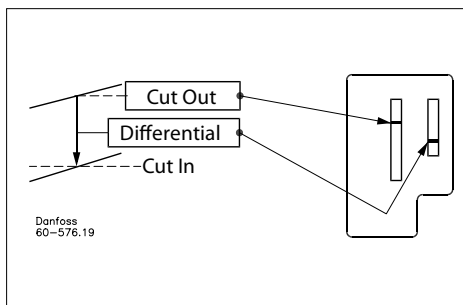


DANFOSS A60-577.15

Contact 1-2 opens on pressure rise



KP 5, KP 5A

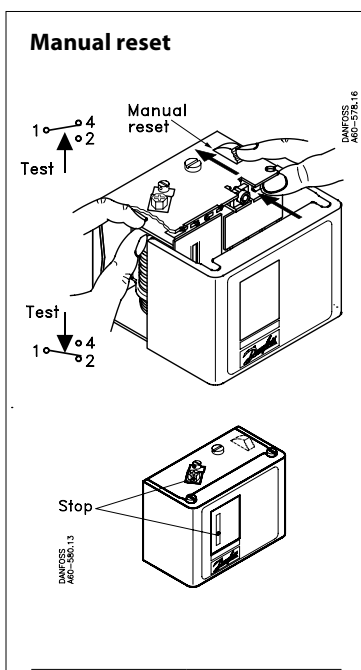
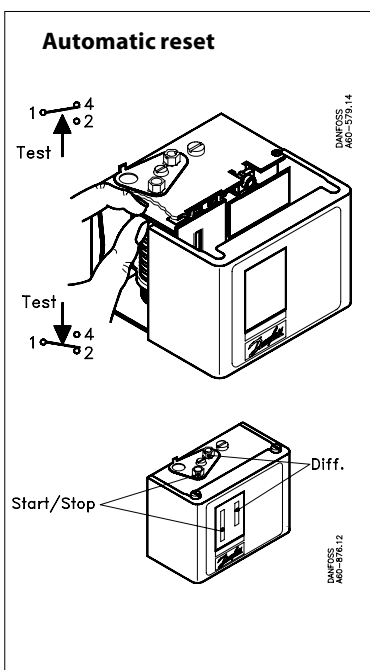


Danfoss 60-576.19

Contact load

Regulation	Max.	30 mA / 30 V d.c.
	Min.	1 mA / 5 V d.c.
Alarm (Au surface is burnt away)	AC1:	10 A / 400 V
	AC3:	6 A / 400 V
	AC15:	4 A / 400 V
	DC13:	12 W / 220 V

Manual trip function



Type	Differential
KP 1, KP 1A	0.7 bar (10 psi)
KP 5, KP 5A	3 bar (43 psi)

Note:
use FINGERS ONLY!
(Do NOT use screwdriver)

Adjustment

Range

- ⊕ Increase 360°
- ⊖ Decrease 360°

KP 1, KP 1A: 0.7 bar (10 psi)/rev.
KP 5, KP 5A: 2.3 bar (33 psi)/rev.

Differential

360° ⊕ ⊖
KP 1, KP 1A: 0.2 bar (3 psi)
KP 5, KP 5A: 0.3 bar (4 psi)

