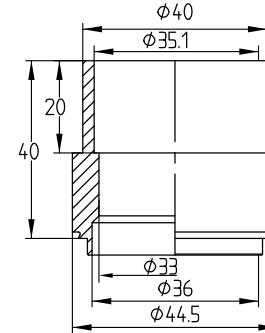
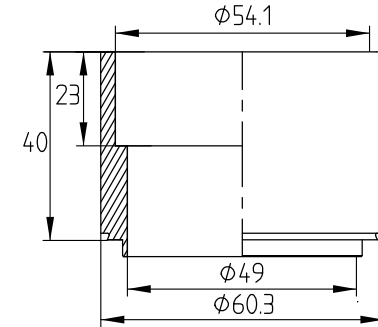


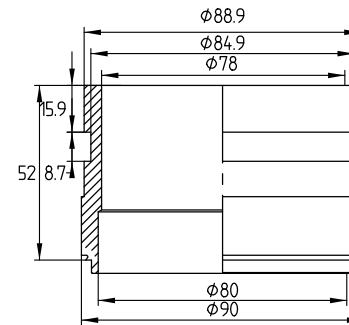
| |
|-------------------|
| Q3-Q5 |
| H1 3/8(H4138) |
| Welded Connection |



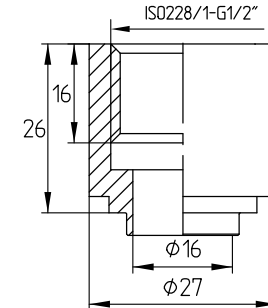
| |
|-------------------|
| Q4-Q6 |
| H2 1/8(H5212) |
| Welded Connection |



| |
|----------------------|
| H1-H2 |
| H3 1/8(LJ830) |
| Victaulic Connection |



| |
|-------------------|
| Q1-Q2 |
| N1/2(N104) |
| Thread Connection |



| ID | RIDAN Code | Drawing No. | Model | Plates(n) | A | WEIGHT | VOLUME |
|----|------------|-------------|-------|-----------|-----|---------|------------------------------|
| 1 | 021H8419R | 2305524 | 210 | 130 | 347 | 106.6Kg | H1H2:32.5L/Q3Q6:16L/Q4Q5:16L |

| DESIGN DATA | |
|--------------------|-------------|
| DESIGN PRESSURE | 4.5MPa |
| TEST PRESSURE | 6.75MPa |
| DESIGN TEMPERATURE | -196/+225 |
| LEAKAGE TEST | Helium Test |
| PLATE MATERIAL | 316L |
| PIPE MATERIAL | 304 |
| FRAME MATERIAL | 304 |

| | | | | | | |
|------------------|------------|-------|------------|-------------|---|---------|
| Assembly drawing | DEPARTMENT | Sales | DATE | SCALE | RD-210-130-4,5-HDQ-Q1Q2(N1/2) DESIGNATION/Q3Q5(H1 3/8)/Q4Q6(H2 1/8)/ H1H2(H3 1/8)/12-M10*25 | |
| | DESIGNER | JLN | 2022/05/06 | | | |
| | INSPECTOR | ZJF | 2022/05/06 | | | |
| | APPROVAL | FL | 2022/05/06 | DRAWING NO. | | 2305524 |
| | | | | | REV | 0 |