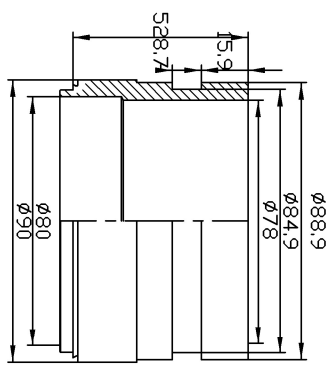


Q3
H2"1/8(LH421)
Welded
Connection



Q6-H1-H2
H3"1/8(LJ830)
Victaulic
Connection

Note: Add unit foot and lifting lug

ID	RIDAN Code	Drawing No	Model	Plates(n)	A	WEIGHT	VOLUME
1	021H8915R	2305520	210	144	384115.98Kg	0306:35.5L/H1H2:36L	

DESIGN DATA		
DESIGN PRESSURE	3.0MPa	
TEST PRESSURE	4.5MPa	
DESIGN TEMPERATURE	-196/+225	
LEAKAGE TEST	Helium Test	
PLATE MATERIAL	316L	
PIPE MATERIAL	304	
FRAME MATERIAL	304	

DESIGNER	DATE	SCALE	RD-210-144-3.0-HQ-
INSPECTOR	DATE	DRAWING	Q3(H2"1/8)/12-M10*25
APPROVAL	FL	ND.2305520	REV 0

