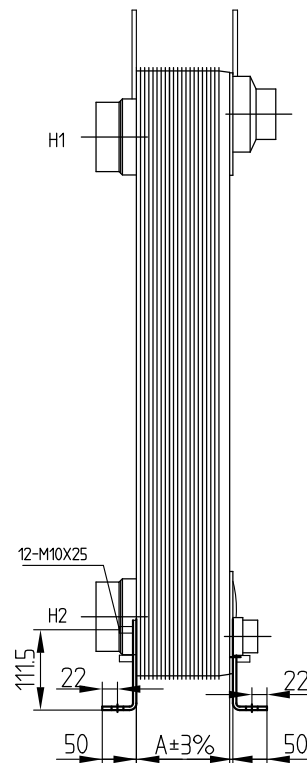
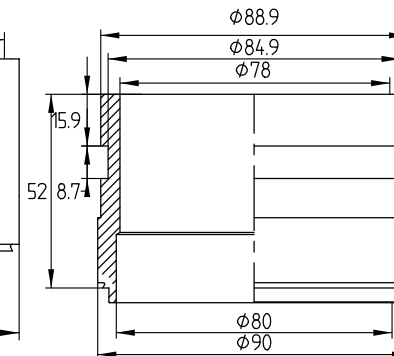
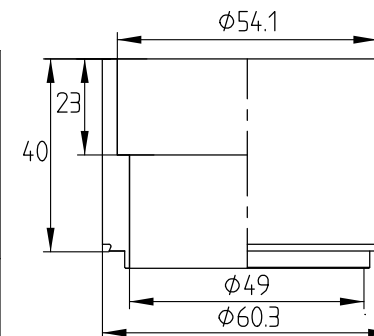
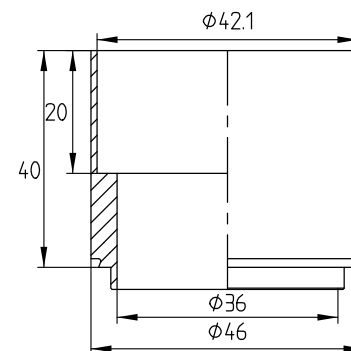


Q3Q5
H1"5/8(H4152)
Soldering Connection

Q4Q6
H2"1/8(H5212)
Soldering Connection

H1H2
H3"1/8D(LJ830)
Victaulic Connection



Note: Add unit foot and lifting lug

		DESIGN DATA	
DESIGN PRESSURE		4.5Mpa	
TEST PRESSURE		6.75MPa	
DESIGN TEMPERATURE		-196/+225	
LEAKAGE TEST		Helium Test	
PLATE MATERIAL		316L	
PIPE MATERIAL		304	
FRAME MATERIAL		304	

ID	RIDAN Code	Drawing No.	Model	Plates(n)	A	WEIGHT	VOLUME
1	021H8473R	2306589	210	222	587	182Kg	H1H2:55.5L/Q3Q6:27.25L/Q4Q5:27.25L

Assembly drawing	DEPARTMENT	Sales	DATE	SCALE		
	DESIGNER	JLN	2022/06/26			
	INSPECTOR	Z JF	2022/06/26			
	APPROVAL	FL	2022/06/26			
DRAWING NO.					2306589	
					REV 0	

DESIGNATION RD-210-222-4.5-HDQ-Q3Q5 (H1"5/8)/Q4Q6(H2"1/8)/H1H2 (H3"1/8)/12-M10*25