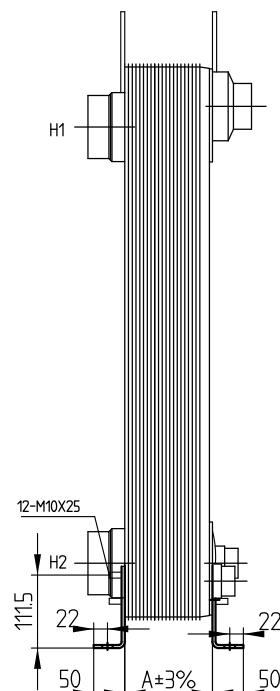
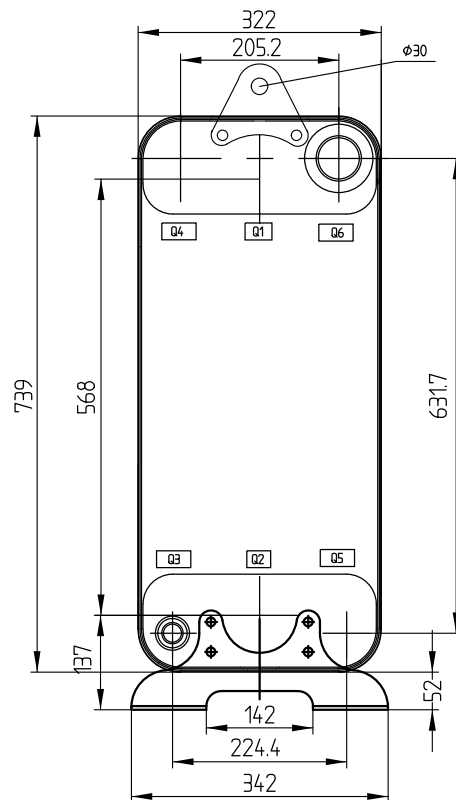
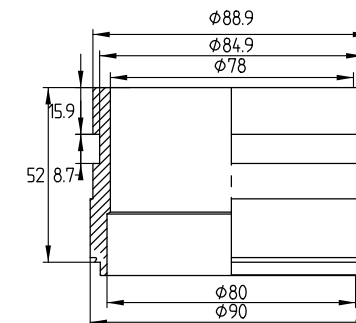
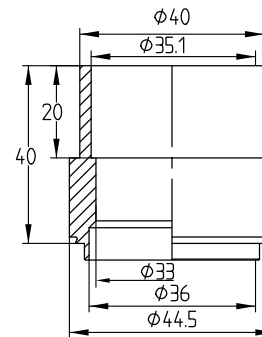
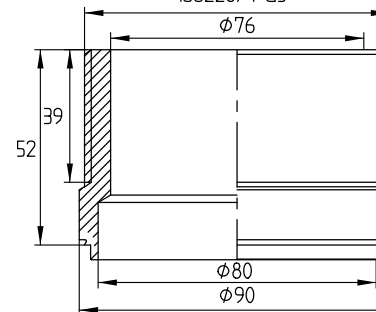


Q3
H1 1 3/8 (H4138)
Welded Connection

Q6
H3 1/8 (LJ830)
Victaulic Connection



H1-H2
L3(LW830)
Screw Thread Connection
ISO228/1-G3"



Note: Add unit foot and lifting lug

DESIGN DATA	
DESIGN PRESSURE	3.0MPa
TEST PRESSURE	4.5MPa
DESIGN TEMPERATURE	-196/+225
LEAKAGE TEST	Helium Test
PLATE MATERIAL	316L
PIPE MATERIAL	304
FRAME MATERIAL	304

ID	RIDAN Code	Drawing No.	Model	Plates(n)	A	WEIGHT	VOLUME
1	021H8345R	2305521	210	110	295	915Kg	Q3Q6:27L/H1H2:27.5L

Assembly drawing	DEPARTMENT	Sales	DATE	2022/05/06	SCALE		
	DESIGNER	JLN	2022/05/06				
	INSPECTOR	ZJF	2022/05/06				
	APPROVAL	FL	2022/05/06				
DESIGNATION		RD-210-110-3.0-HQ-H1H2(L3)/Q3(H1 3/8)/Q6(H3 1/8)/12-M10*25			DRAWING NO.	2305521	REV 0