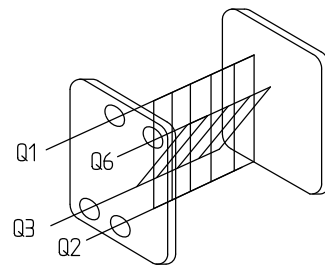
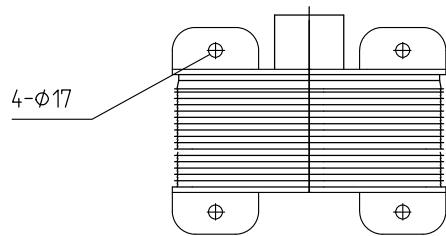
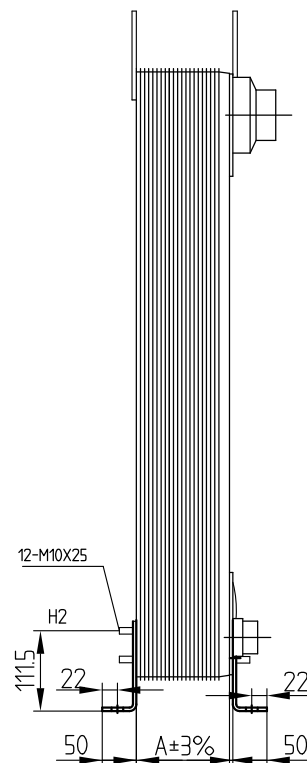
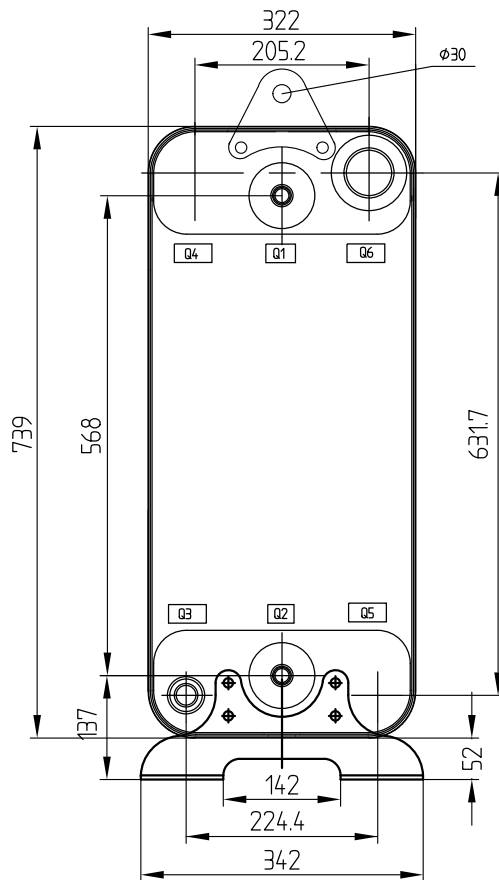
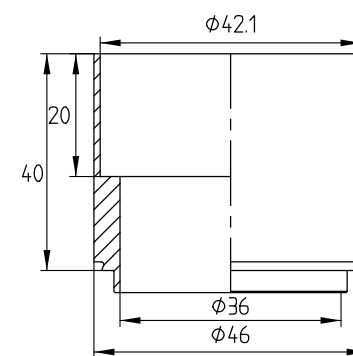
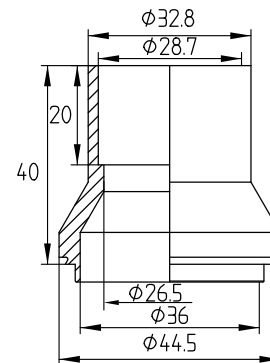


CONTROLLED



Q3
H1"1/8(H4114)
Soldering Connection

Q1Q2Q6
H1"5/8D(H4152)
Soldering Connection



Note: Add unit foot and lifting lug

DESIGN DATA	
DESIGN PRESSURE	4.5Mpa
TEST PRESSURE	6.75MPa
DESIGN TEMPERATURE	-196/+225
LEAKAGE TEST	Helium Test
PLATE MATERIAL	316L
PIPE MATERIAL	304
FRAME MATERIAL	304

ID	RIDAN Code	Drawing No.	Model	Plates(n)	A	WEIGHT	VOLUME
1	021H8230R	2306593	210	90	243	82Kg	Q1Q2:22.5L/Q3Q6:22L

Assembly drawing	DEPARTMENT Sales	DATE	SCALE		
	DESIGNER JLN	2022/06/26			
	INSPECTOR ZJF	2022/06/26			
	APPROVAL FL	2022/06/26			
DRAWING NO. 2306593			DESIGNATION RD-210-90-4.5-HQ-Q1Q2Q6 (H1"5/8)/Q3(H1"1/8)/12-M10*25		
			REV 0		